

Nominal data

Type	7450 ES	
Phase		1~
Nominal voltage	VAC	230
Frequency	Hz	50
Speed	min ⁻¹	2700
Power input	W	47.0
Min. ambient temperature	°C	-25
Max. ambient temperature	°C	60
Air flow	m ³ /h	380
Sound power level	B	6.8
Sound pressure level	dB(A)	60

ml = Max. load · me = Max. efficiency · fa = Running at free air · cs = Customer specs · cu = Customer unit
Subject to alterations

7450 ES

AC axial compact fan

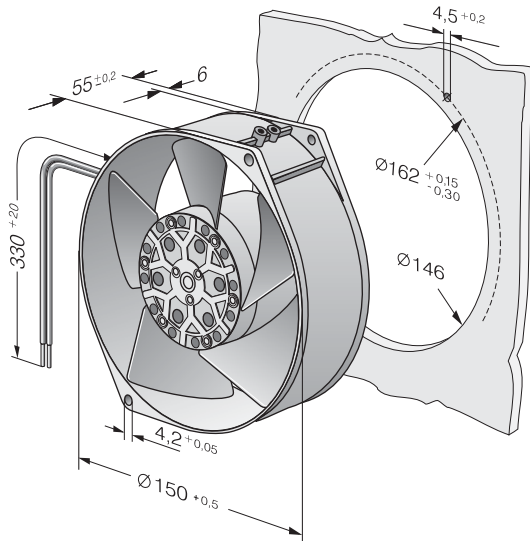
Technical features

Mass	1.1 kg
Dimensions	150 Ø x 55 mm
Material of impeller	Sheet steel, coated in black
Housing material	Die-cast aluminium
Direction of air flow	Über Stege saugend
Direction of rotation	Left, looking at rotor
Bearing	Ball bearings
Lifetime L10 at 40 °C	63000 h
Lifetime L10 at maximum temperature	50000 h
Connection line	With 2 single strands. Strand ends with lead tips. Grounding lug for M4 x 8.
Motor protection	Protected from overload by a thermal switch
Approval	VDE, CSA, UL, CE

7450 ES

AC axial compact fan

Product drawing



Charts

